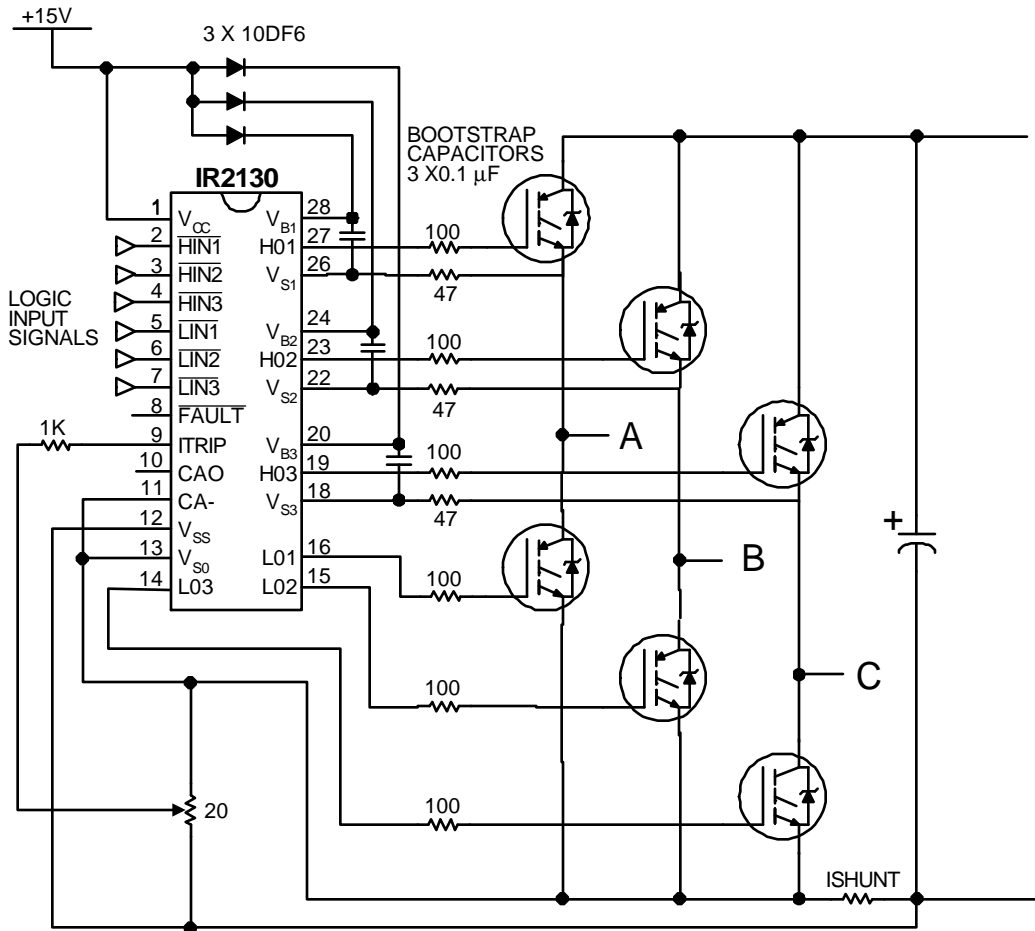


3-Phase Bridge Drive With Overcurrent Protection

by **Jamie Catt**



Features:

Single Chip Solution, Interfaces Directly to All Input Signal Levels, Built in Deadtime, Overcurrent Protection, 600 Volt Rating.

Benefits:

Simple Circuit Layout, Low Cost, Eliminates Cross-Conduction.